

## Electrostatix

Plasma Clean electrostatic precipitators (ESPs) are specifically designed for the removal of grease and smoke particles from commercial kitchen extraction systems.

These robust units have a low pressure drop, come with a two year parts warranty, and offer the highest particulate removal efficiency in their class - removing sub-micron particles by 95% per pass.



Product Specification		
Model	PCL 5000 SP	PCL 7500 SP
Dimensions	533H x 1085W x 635D mm	533H x 1547W x 635D mm
Air Volume	1.4 m <sup>3</sup> /s	2.1 m <sup>3</sup> /s
Input voltage	230Vac / 1 phase / 50-60Hz	
Power consumption	50w	66w
No. of ESP cells	2	3
Weight	80kg	120kg
Pressure	90Pa (dirty filters)	
Multiple units can be joined together for increased volume or efficiency		

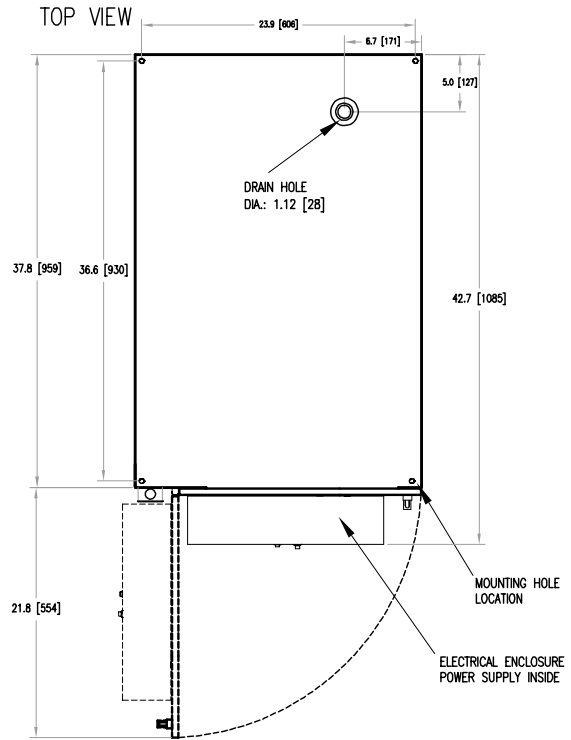
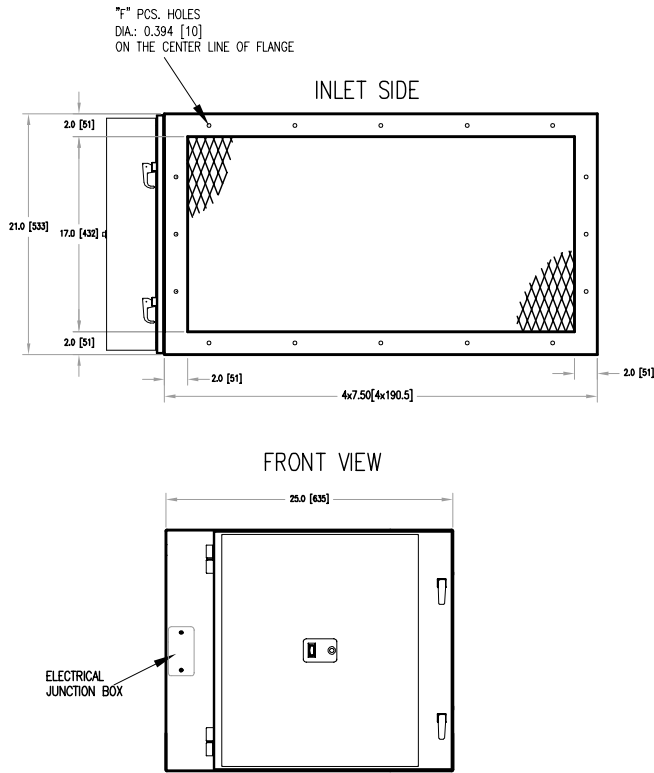
Plasma Clean ESPs operate at 95% efficiency per pass at 4,420 and 6,630 m<sup>3</sup>/s per unit. Using extra depth collector cells and the highest ionisation and collector cell voltages ensures the greatest capture efficiency at high volume flow rates.

Always check the stated efficiency and volume flow rate when comparing products.

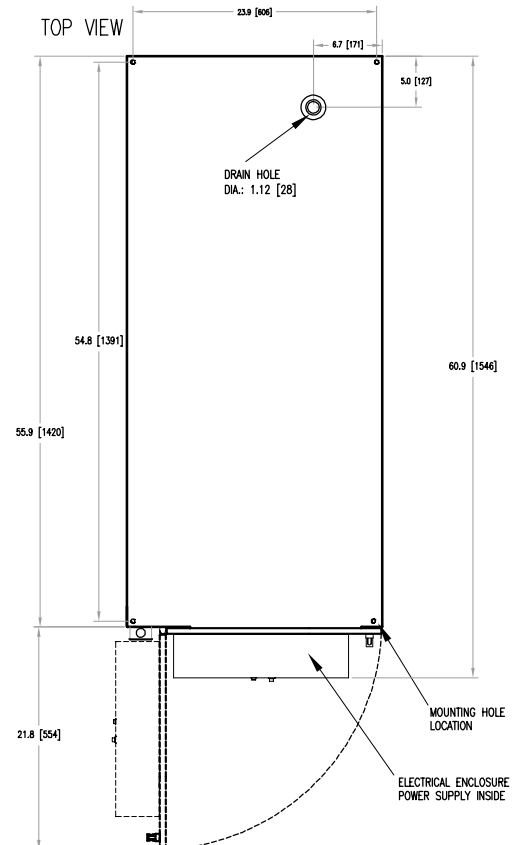
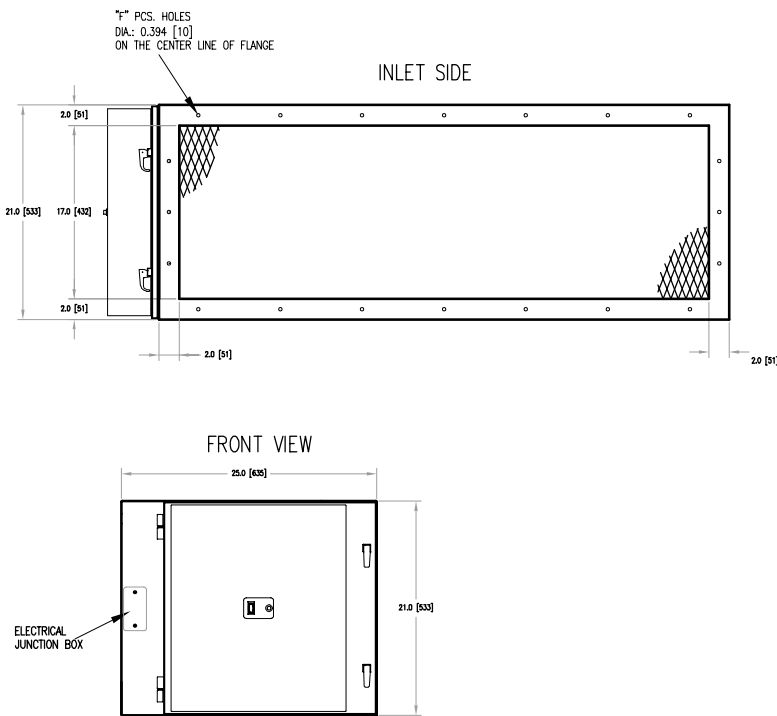
### The key advantages of the Electrostatix system are:

- Extra depth collector cells allow greater capture efficiency
- Low pressure drop – 90Pa per pass, resulting in lower energy costs
- Stainless steel spike ionisers have a longer life span than wire ionisers
- Solid state power supply
- Two year parts warranty

**Electrostatic** Technical Drawing: PCL 5000 SP



**Electrostatic** Technical Drawing: PCL 7500 SP



**Any questions?**

Contact one of our engineers who will be at hand to advise on the most appropriate odour control solution.

Email: [ask@plasma-clean.com](mailto:ask@plasma-clean.com)  
Tel: +44 (0)161 870 2325

Plasma Clean is continuously improving its products and services and reserves the right to alter designs without prior notice.